



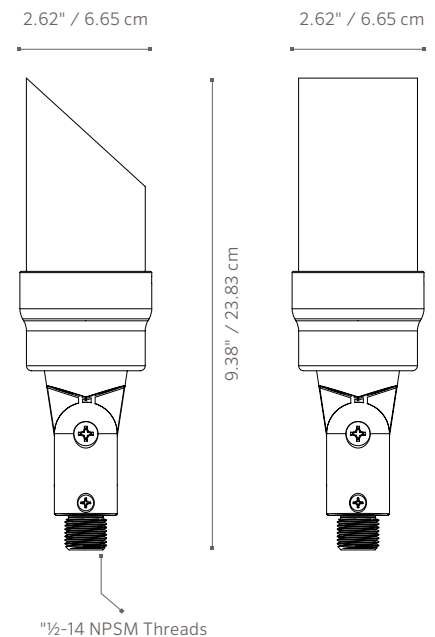
The MD is specifically designed for down light applications. It features a specially engineered shield cover and knuckle assembly that keeps moisture out of the fixture. This allows for dependable performance year after year even in the harshest environments. It is designed to closely resemble our MU up light so designers can easily match an entire job with both fixtures.

MD: Down Light



Features and Flexibility Abound

With so many features and convenient wattage options, the MD is the go-to halogen down light solution for an array of applications.





MD: Down Light

FACTORY INSTALLED OPTIONS: Order 1 + 2 + 3 (optional) + 4

STEP	DESCRIPTION	CODE
1	FIXTURE	MD
2	LAMP	NL (No lamp), 20 (Halogen BAB), 35 (Halogen FMW), LED20WFL† (LED 4W BAB), LED35WFL† (LED 5W FMW), ZD35WFL† (ZD LED 5W FMW)
3	STRAIGHT SHROUD OPTION	SS
4	FINISH	WG, FW, AL, BZ, DG, WI, SB, FB

EXAMPLE: MD-20-BZ = MD - 20W Halogen - Bronze Metallic

† LED lamps available only with BZ/FB finishes

FIELD INSTALLED OPTIONS: Order Individually

Glare Control	Mounts						
Hex Baffle (250015260000)	Tree Box (TB-XX**) 5.4"x1.9"		Coupling: Straight (COUP-XX**) 1.3" x 2.0"				
RecessorRing (RRMR16)	Wall Plate: 1-Gang (WP-1G-050-XX**) 3.4" x 5.1"		Coupling: 90° Elbow (ELBW-050-XX**) 1.3" x 2.0"				
	Wall Plate: Round (WP-RD-050-XX**) 5.0" diameter		Coupling: T-Mount (TMNT-050-XX**) 3.0" x 2.2"				
			Gutter Mount (GM-SS) 4.0" x 4.0"				
	Tree Box	Wall Plates: 1-Gang	Wall Plates: Round	Coupling: Straight	Coupling: 90° Elbow	Coupling: T-Mount	Gutter Mount
	Sign Light Riser (YY-R-SL-XX**) 0.8" diameter w/45° inward curve						
	Straight Riser (YY-R-XX**) 0.8" diameter						
	Sign Light Riser	Straight Riser					

EXAMPLE: RRMR16 = RecessorRing

PM-SB = Post Mount - Sedona Brown Finish

POWDERCOAT

	WG = White Gloss
	FW = Flat White
	AL = Almond
	BZ = Bronze Metallic
	DG = Desert Granite
	WI = Weathered Iron
	SB = Sedona Brown
	FB = Flat Black

The MD includes your choice of halogen MR-16 lamp, clear lens, and choice of finish.

* May require longer lead time

** XX denotes finish code



Fixture with straight shroud option

